

# LD720

## Customer Display



Stand-alone model with 1 pole.

### 2x20, Easy-to-read Vacuum Fluorescent Display

Smooth and Smart IT design



Attached to the base without pole.

- All POS line display command mode supported. Included EPSON and Logic Control command.
- Power supply from 5V to 12V to prevent any mindless use of improper power input.
- Interface: USB / RS232 / Ethernet / Wi-Fi / Bluetooth
- Green / Blue Filter available
- OPOS / JPOS driver is standard.



Blue and Green Screen available. (Stand-alone model with 2 poles)

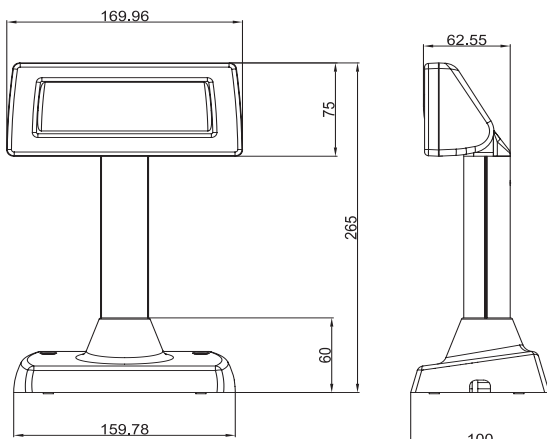
Stand-alone model with stretching pole.



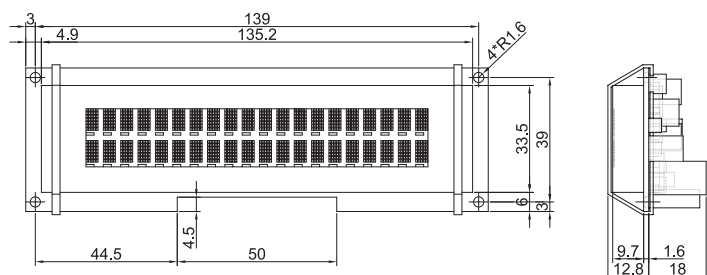
# LD720 Customer Display

## Specification

<b>General</b>	Display Method	Vacuum Fluorescent Display (Blue-green)
	Number of characters	40 (20 columns x 2 lines)
	Brightness	500~1000 cd/m <sup>2</sup>
	Character font	5 x 7 dot matrix
	Character type	95 Alphanumeric, 32 International Characters
	Character size	6.75(H) x 3.75(W) mm
	Dot Size (X x Y)	0.55 x 0.75 mm
	User Define Characters	9 characters
	Height	4.70" (120mm) with stand-alone base
		9.80" (250mm) with base and 1 extension
	Panel Dimension	145(W) x 45(H) x 22(D) mm
	Pole Dimension	130(H) x 33(Dia) mm for 1 pole, default package has 2 poles
	Base Dimension	33(H) x 159.8(W) x 100(D) mm
	Viewing Angle	Max. 90°
	Horizontal Rotation	Max. 355°
Weight	Approx. 980 grams	
<b>Commands Mode</b>	Ultimate, LD220, EPSON POS D101, AEDEX, UTC/S, UTC/P, ADM788, DSP800, CD5220, EMAX, LOGIC CONTROL	
<b>Language Support</b>	US English, Int'l English, Bosnia, Croatian, Czech, Danish, Dutch, Estonian, Faroese, Finnish, Flemish, French, Fr Canadian, German, Greek, Hebrew, Hungarian, Icelandic, Indonesian, Irish, Italian, Katakana, Latvian, Lithuanian, Norwegian, Polish, Portuguese, Romanian, Russian, Slovene, Slovak, Spanish, Swedish	
<b>Interface</b>	RS-232 (serial) / USB / Ethernet / Wi-Fi / Bluetooth	
<b>Connection</b>	Baud rate	Direct connection 9600 or 19,200 bps
<b>Reliability</b>	MTBF	30,000 hours
<b>Power</b>	Consumption	5~12 VDC
<b>Safety</b>	EMC standards Safety standards	FCC, CE



### Panel Module Kit available



**Note: Product Manufacturer reserves the right to modify specifications without notification of the contractual partner.**



<http://www.labau.com.tw> E-Mail: [service@labau.com.tw](mailto:service@labau.com.tw)  
 9F., #531-1 Chung Cheng Rd., Hsin Tien District, New Taipei City, 23148 Taiwan, R.O.C.  
 Tel: +886-2-2218-2277 Fax: +886-2-2218-5522