



LD960

Customer Display

**Clear, Easy-to-read
Graphic and All Command
Mode Support**

Stand-alone model
with 2 pole.

- Support 1 x 10 / 20 x 2 / 32 x 320 in a wide viewing angle.
- All POS line display command mode supported. Included EPSON and Logic Control command.
- Interface: USB / RS232 / Ethernet / Wi-Fi / Bluetooth
- Green / Blue Filter available
- OPOS/JPOS driver is standard.



Blue and Green Screen available.
(1 x 10 Character Font)



Attached to the base without
pole. (32 x 320 for Graphic)



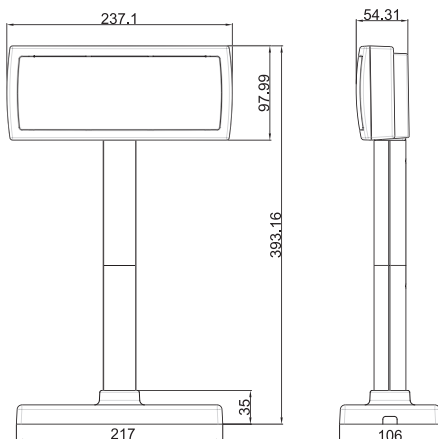
Stand-alone model
with stretching pole.



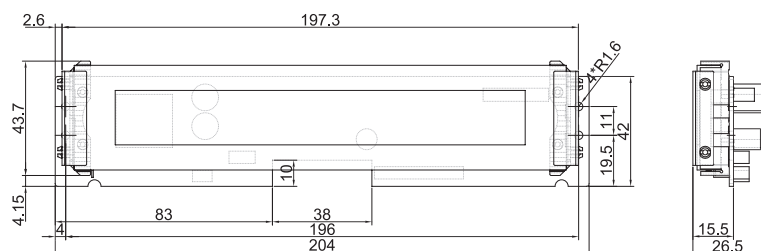
LD960 Customer Display

Specification

General	Display Method	Vacuum Fluorescent Display (Blue and Green windows available)
	Display Pattern	16 x 16 / 32 x 32 / 320 x 32 (for graphic mode)
	Brightness	350~700 cd/m ²
	Character font	20 x 2 for 16 x 16 font / 10 x 1 for 32 x 32 font / 320 x 32 for Graphic
	Character size	10.4 (H) x 7.8 (W) mm
	Dot Size (X * Y)	0.495 x 0.35mm
	Case color	Cool White and Elegance Black
	Support Dimension	130(H) x 33(Dia) mm for 1 pole, default package has 2 poles
	Panel Dimension	205(W) x 45(H) x 24.5(D) mm
	Vertical Rotation	Max. 90°
	Horizontal Rotation	Max. 355°
	Weight	Approx. 980 grams
Commands Mode	Ultimate (Incl. EPSON POS Command), LD540, AEDEX, UTC/S, UTC/P, ADM788, DSP800, CD5220, EMAX, LOGIC CONTROL	
Language Support	Traditional Chinese, Simplified Chinese, Korean, Arabic, Turkish, Persian, US English, Int'l English, Bosnia, Croatian, Czech, Danish, Dutch, Estonian, Faroese, Finnish, Flemish, French, Fr Canadian, German, Greek, Hebrew, Hungarian, Icelandic, Indonesian, Irish, Italian, Katakana, Latvian, Lithuanian, Norwegian, Polish, Portuguese, Romanian, Russian, Slovene, Slovak, Spanish, Swedish...	
Interface	RS-232 (serial) / USB / Ethernet / Wi-Fi / Bluetooth	
Connection	Baud rate	Direct connection 9600 or 19,200 bps
Reliability	MTBF	30,000 hours
Power	Consumption	12V DC
Safety	EMC standards Safety standards	FCC, CE



Panel Module Kit available



<http://www.labau.com.tw> E-Mail: service@labau.com.tw
 9F., #531-1 Chung Cheng Rd., Hsin Tien District, New Taipei City,
 23148 Taiwan, R.O.C.
 Tel: +886-2-2218-2277 Fax: +886-2-2218-5522

Note: Product Manufacturer reserves the right to modify specifications without notification of the contractual partner.